

Fork Positioners

Models FR Compact



The model FR Compact represents the basic Bolzoni Auramo fork positioner, used in the most common applications.

The compact structure of the unit, based on a standard Bolzoni Auramo sideshift, guarantees extremely reduced weight, effective thickness and centre of gravity.

The compact design of the fork carriers, allowing the use of the standard forks, guarantees the original visibility of the lift truck. The excellent visibility of the unit is furtherly increased by

a wide central window in the basic Bolzoni Auramo sideshifter, very useful when loading and unloading vehicles.

The fork carriers, actuated by two hydraulic cylinders, slide on a chromed bar in order to ensure fast, smooth and accurate fork positioning.

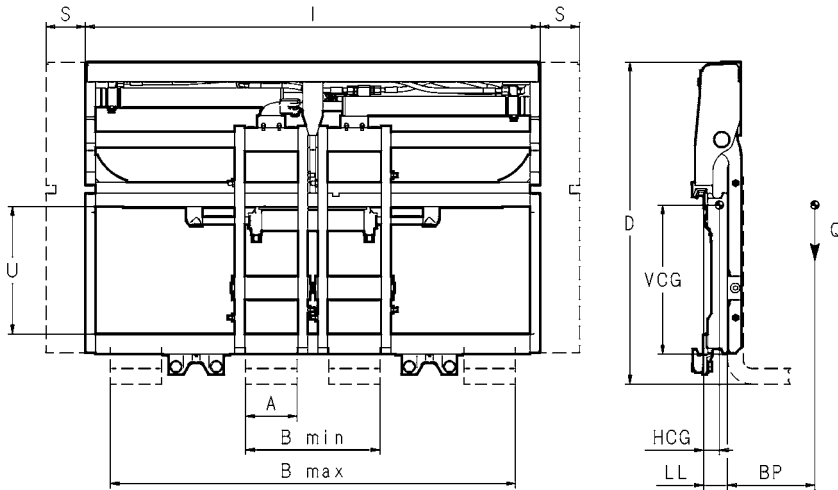
The unit is also available in non-sideshifting version, FK model, till capacity 4.900 Kg.



Fork Positioners with Fork Carriers

Models FR Compact (sideshifting)

Range: 2500 Kg - 6500 Kg



- Separate sideshift.
- Accurate fork positioning, operated on around chromed bar with bushings.
- With fork carriers.
- Standard forks of the truck can be used without modification.
- Fork carriers sliding on a chromed bar with bushings.
- Excellent visibility, strength and versatility.

| Model | Capacity | Load Centre | Opening Range | Frame Width | Minimum Carriage Width | Height | Weight | Horizontal Centre of Gravity | Vertical Centre of Gravity | Effective Thickness | Support Width | Side Visibility | Mounting Class |
|-----------|----------|-------------|---------------|-------------|------------------------|---------|---------|------------------------------|----------------------------|---------------------|---------------|-----------------|----------------|
| | Q kg | BP mm | B mm | I mm | FL mm | D mm | W Kg | HCG mm | VCG mm | LL mm | A mm | U mm | ISO 2328 |
| FR 25 X8A | 2.500 | 500 | 340-675 | 800 | 720 | 814 | 100 | 41 | 378 | 60 | 135 | 322 | 2 A |
| FR 25 X9A | 2.500 | 500 | 340-815 | 940 | 830 | 814 | 104 | 41 | 376 | 60 | 135 | 322 | 2 A |
| FR 25 10A | 2.500 | 500 | 340-915 | 1040 | 910 | 814 | 110 | 41 | 376 | 60 | 135 | 322 | 2 A |
| FR 25 11A | 2.500 | 500 | 340-1025 | 1150 | 960 | 814 | 117 | 41 | 377 | 60 | 135 | 322 | 2 A |
| FR 25 12A | 2.500 | 500 | 340-1110 | 1245 | 960 | 814 | 150 | 42 | 339 | 66 | 135 | 272 | 2 A |
| FR 25 14A | 2.500 | 500 | 340-1265 | 1400 | 1050 | 814 | 162 | 42 | 338 | 66 | 135 | 272 | 2 A |
| FR 35 10B | 3.500 | 500 | 370-965 | 1100 | 890 | 916 | 140 | 45 | 423 | 67 | 135 | 415 | 3 A |
| FR 35 11B | 3.500 | 500 | 370-1015 | 1150 | 890 | 916 | 144 | 45 | 423 | 67 | 135 | 415 | 3 A |
| FR 35 12B | 3.500 | 500 | 370-1110 | 1245 | 1090 | 916 | 151 | 45 | 424 | 67 | 135 | 415 | 3 A |
| FR 35 13B | 3.500 | 500 | 370-1215 | 1350 | 1090 | 916 | 159 | 45 | 425 | 67 | 135 | 415 | 3 A |
| FR 49 11B | 4.900 | 500 | 415-980 | 1150 | 850 | 999 | 233 | 51 | 422 | 77 | 155 | 365 | 3 A |
| FR 49 12B | 4.900 | 500 | 415-1075 | 1245 | 900 | 999 | 244 | 51 | 421 | 77 | 155 | 365 | 3 A |
| FR 49 13B | 4.900 | 500 | 415-1180 | 1350 | 970 | 999 | 256 | 51 | 420 | 77 | 155 | 365 | 3 A |
| FR 49 15B | 4.900 | 500 | 415-1380 | 1550 | 1200 | 999 | 280 | 50 | 418 | 77 | 155 | 365 | 3 A |
| FR 49 16B | 4.900 | 500 | 415-1490 | 1660 | 1260 | 999 | 292 | 50 | 416 | 77 | 155 | 365 | 3 A |
| FR 49 18B | 4.900 | 500 | 415-1630 | 1800 | 1550 | 999 | 345 | 50 | 414 | 77 | 155 | 365 | 3 A |
| FR 49 20B | 4.900 | 500 | 415-1830 | 2000 | 1550 | 999 | 382 | 50 | 412 | 77 | 155 | 365 | 3 A |
| FR 65 11C | 6.500 | 600 | 415-900 | 1070 | 900 | 1190 | 307 | 53 | 352 | 84 | 155 | 390 | 4 A |
| FR 65 12C | 6.500 | 600 | 415-1080 | 1250 | 900 | 1190 | 320 | 53 | 351 | 84 | 155 | 390 | 4 A |
| FR 65 13C | 6.500 | 600 | 415-1180 | 1350 | 900 | 1190 | 355 | 52 | 351 | 84 | 155 | 390 | 4 A |
| FR 65 15C | 6.500 | 600 | 415-1380 | 1550 | 1000 | 1190 | 375 | 51 | 350 | 84 | 155 | 390 | 4 A |
| FR 65 18C | 6.500 | 600 | 415-1660 | 1830 | 1350 | 1190 | 415 | 51 | 349 | 84 | 155 | 390 | 4 A |
| FR 65 20C | 6.500 | 600 | 415-1830 | 2000 | 1350 | 1190 | 439 | 50 | 348 | 84 | 155 | 390 | 4 A |
| FR 65 24C | 6.500 | 600 | 415-2230 | 2400 | 1750 | 1190 | 483 | 50 | 346 | 84 | 155 | 390 | 4 A |

Notes:

- Two hydraulic functions required.
- Sideshift stroke always 100 + 100 mm.
- Max. suggested fork length 1500 mm.
- Delivered without forks. Original lift truck forks can be fitted without any modification.

Options:

- Load backrest.

